



High Power Line Laser **PLUTO-L PL.P532.***-LZZ**

The diode pumped high power green line lasersystem PLUTO-L with direct modulation is ideal for long range alignment, and machine vision.

**Homogenous line - 400 and 800 mW @ 532 nm
Modulation up to 10 kHz - Compact housing**

The PLUTO-L linelaser system with high output power is especially designed for applications where high contrast is needed.

Homogenous line distribution, generated by high quality line optics and intensity modulation DC - 10 kHz makes the laser

an attractive light source for triangulation systems in high speed process control.

In "stand alone" operation the laser can be controlled by a remote control panel as option to switch on and off the laser by interlock button and set output power.



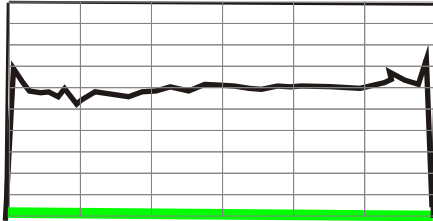
Specifications

Output wavelength	nm	532
Output power	mW	400, 800
Line thickness (in 1 m)	mm	< 2
Line distribution	mmrad	Homogenous
Fanangle	deg	30, 45, 60
Polarisation		> 1:100 (linear)
Power stability	%	< +/- 5 % (over 1 h)
Operating temperature	°C	10 - 35
Cooling		must be attached to external heatsink
Dimension laser head	mm	120 x 60 x 30
Dimension power supply	mm	207 x 127 x 29.3
Power supply voltage	VDC	9.0
Operation current	A	< 7 (typ. < 6)
Warm-up time	min	< 15



PLUTO-L

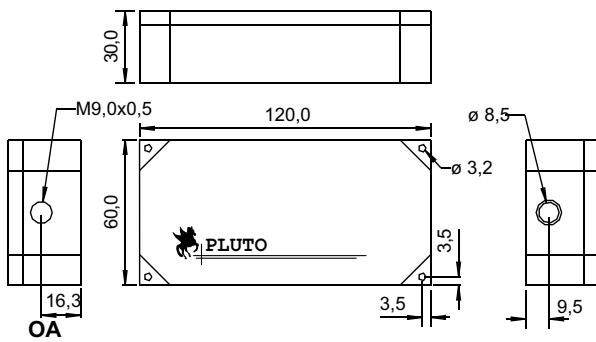
PL.P532.***-LZZ



Typical intensity
distribution along the line

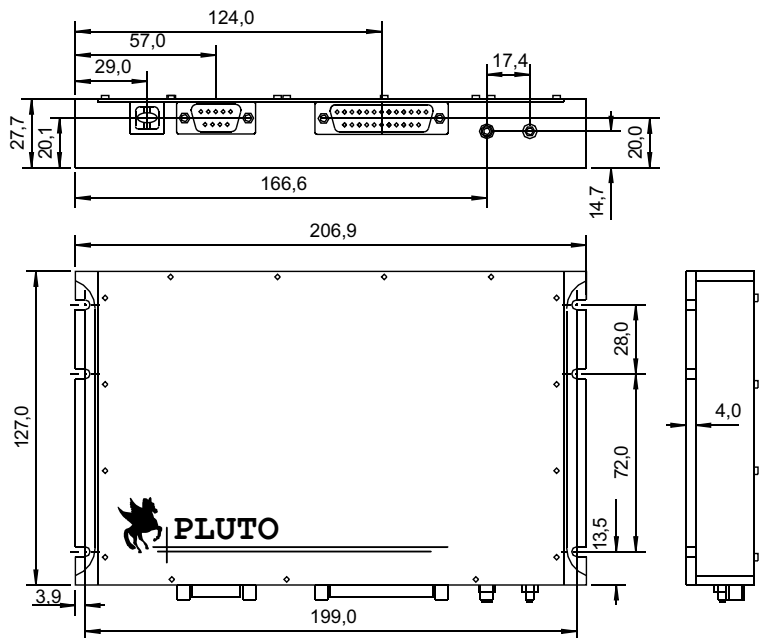
Outline drawings

Laserhead



Remote Control
(option)

Electronics driver



All dimensions are given in mm

